



## Meulenbroek Stationary presses

The Meulenbroek stationary presses are very reliable machines. Because of their short length, they can be utilised on many places.

Some of the characteristics of these presses are:

- Hydraulic unit in oil tight drawer that lies under the press part.<sup>(\*)</sup>
- The control of the press is electro/hydraulically, without end switches.

The stationary presses can be delivered with the following options:

- A tilting device for mini- and 4-wheel containers
- A hydraulic connection of the container to the press.
- A hydraulic locking-plate in the opening of the container-door
- A front press chamber

Onto the MSP stationary presses you can connect change-containers of the model MSP-C. The net-content of these containers ranges from 7 up to 34 m<sup>3</sup>.

Some of the characteristics of these containers are:

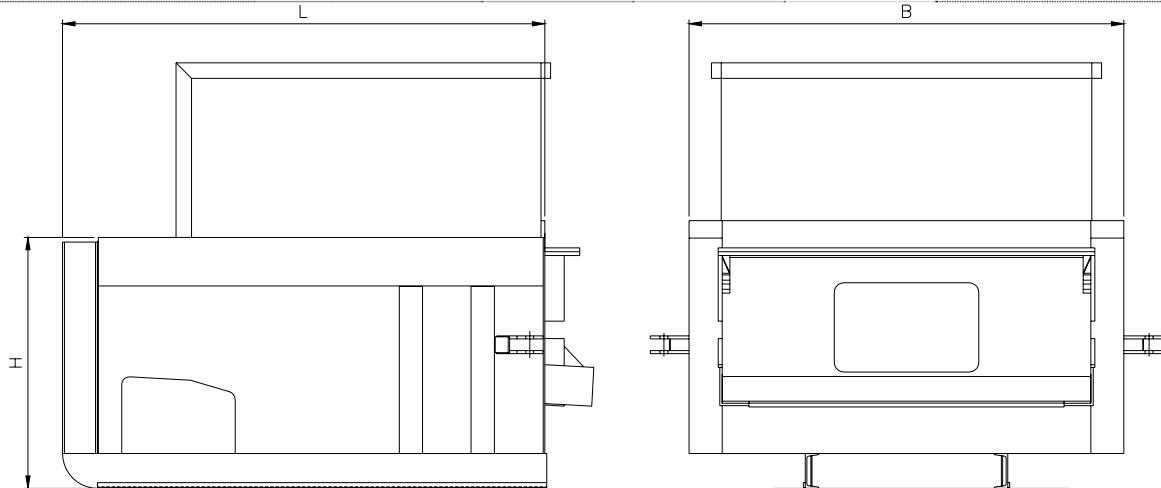
- ✓ The containers have rounded corners and are conical. Because of this the disposal of the waste goes without problems.
- ✓ The containers are built in extra steel thickness (St 37-2 DIN 17.100/1543)

(\*) The MSP 2000 SP and MSP 2000 have a separated unit.



## Technical data Stationary presses **MSP**

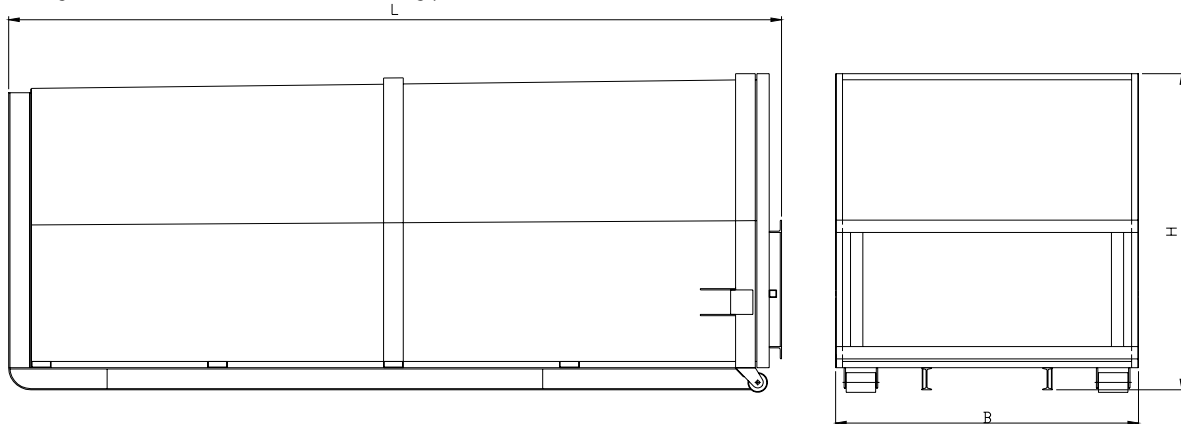
Model MSP		900	1300	1500	1700	2000-SP	2000
Lenght L	mm	1783	2085	2385	3150	4640	4640
Width B	mm	1706	2075	2176	2276	2220	2220
Height H	mm	1270	1325	1294	1403	1300	1585
Length filling area	mm	1585	2000	2225	2975	4640	4640
Width filling area	mm	1490	1720	1800	1900	2000	2000
Lenght before pressblock	mm	900	1100	1400	1600	1900	1900
Width pressblock	mm	1490	1710	1800	1900	2000	2000
Height pressblock	mm	450	550	550	700	800	1000
Cycletime	sec	45	44	48	48	40	60
Presspower	KN	180	330	330	340	360	450
Motorpower	KW	4	5,5	7,5	7,5	11	11
Powerconnection	V/A	400/16	400/25	400/25	400/25	400/50	400/50



## Technical data Change-containers **MSP-C**

Model MSP-C		7	10	15	20	25	30	34
Netto contents	m <sup>3</sup>	7	10	15	20	25	30	34
Lenght L	mm	2599	3361	3850	4375	5440	6307	7107
Width B	mm	1950	1950	2514	2530	2530	2530	2530
Height H	mm	2260	2260	2269	2570	2570	2570	2570
Weight ca. (*)	kg	1450	1750	2100	2450	2850	3375	3700
Maximum total weight	kg	11500	11750	14000	14500	15750	17500	17750

(\*) Weight of standard container, without locking plate in door.



# Meulenbroek

# Machinebouw BV.



de Giem 19  
7547 SW Enschede  
modifications to alteration

[www.meulenbroek.nl](http://www.meulenbroek.nl)  
[info@meulenbroek.nl](mailto:info@meulenbroek.nl)

Tel : 053-430 54 99  
Fax: 053-431 49 33